



Atlanta, Georgia

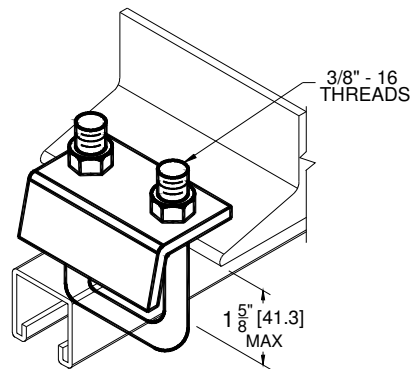
Phone 800-521-7326

Fax 770-745-1333

**BC60 - Strut To Beam Clamp With Square U-Bolt
Electro Galvanized (Zinc Plated)**

BC60

Strut to Beam Clamp with Square U-Bolt
For 13/16" & 1-5/8" Channel



Design load 1200 Lbs [5.34 kN] when used in pairs

Catalog Number BC600000EG